

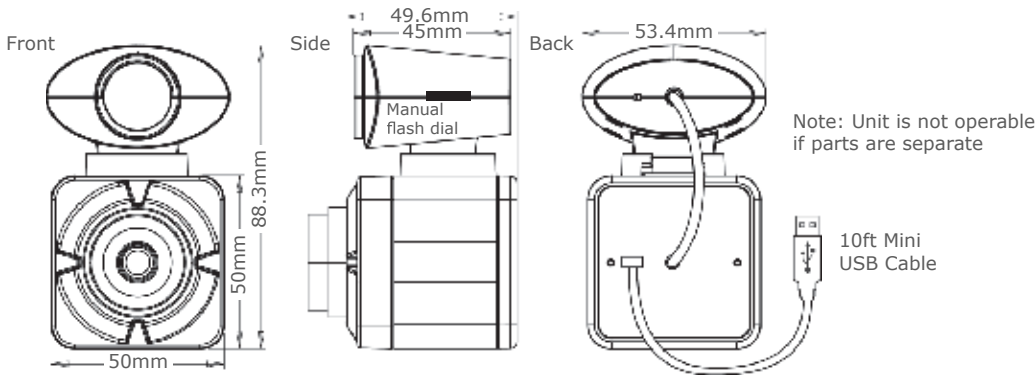
Product Features

- Synchronized USB powered LED flash for consistent high quality images in any environment
- 1.3 megapixel progressive scan sensor
- >12.5fps at 720p high definition uncompressed resolution
- Still image capture with streaming video
- USB 2.0 bus provides power, camera and flash control
- Complete SDK available

- Compact industrial design
- Convenient manual dial allows customized flash intensity

Software

- USB 2.0 viewer software for 32bit and 64bit Windows operating systems
- TWAIN compliant
- FIPS 201 compliance (in conjunction with appropriate software)



Technical Specifications

Electrical	24C7.38USB-F-L8S
Sensor	1/3" CMOS
Flash	High powered white LED (manually adjustable)
Viewer Display	1280 x 1024 max
Max Frame Rates (Uncompressed)	7.5 fps @ SXGA (1280 x 1024) 12fps @ XGA (1024 x 768) 25fps @ VGA (640 x 480)
Sensitivity	< 2.0 Lux (50 IRE) F1.2, 3200K, lens transmission 80%, scene reflection 75%
Signal to Noise Ratio	>45 dB (AGC off)
Gamma	0.45 default (1.0 via software)
Gain Control	Automatic 36 dB (AGC default) or Fixed options via software
Scan Mode	Progressive scan
Mirror Mode	Yes (horizontal/vertical)
Shutter Mode	Rolling shutter
Control Communication	Camera control via USB bus
Synchronization	Internal
Back Light Compensation	Default on (selectable via software)
White Balance Mode	AWB auto white mode, Fixed modes selectable via software
Contour Enhancement	Default on
Iris Control	Electronic shutter
Shutter Speeds	Automatic Fixed (NTSC) 1/12 to 1/100 Fixed (PAL) 1/15 to 1/120
Video Output	USB 2.0
Power Supply	5VDC via USB 2.0 bus
Power Consumption	< 0.6W

Mechanical

Dimensions W x H x D	50mm x 50mm x 88.3mm (1.97" x 1.97" x 3.48")
Weight (w/flash)	195g (0.43lb)
Lens	8mm f1.8 megapixel lens
Cable	10ft mini USB cable

Environmental

Operating Temperature	-15° C ~ 55° C (5° F ~ 131° F)
Operating Humidity	20% up to 93%RH
Storage Temperature	-25° C ~ + 70° C (-13° F ~ 158° F)
Storage Humidity	Up to 98%RH
Lifetime	MTBF > 150000

Software

Viewer (included) SFT-07019	<ul style="list-style-type: none"> • WDM device drivers • TWAIN compliant (requires driver installation)
SDK (optional) SFT-07019-SDK	Complete software development kit and support for OEMs

Recommended System Requirements

Hardware	Pentium IV	2.3GHz +, 1GB hard drive, Intel USB 2.0 Host controller
Software	Windows 7	32 bit and 64 bit
	Windows Vista	32 bit and 64 bit
	Windows XP	Service pack 2 +, DirectX 9.0c or above

Government Compliance

	FIPS 201
In conjunction with appropriate software	

Standards

	RoHS
--	------